



Version	Change NO.	Autograph	Date

# 3.5mm-N ADAPTERS F/M 18GHZ

## A-35FNM

### SPECIFICATIONS

#### ELECTRICAL

VSWR: 1.15:1  
 Frequency: DC-18 GHz  
 Impedance: 50 Ohms

#### MECHANICAL

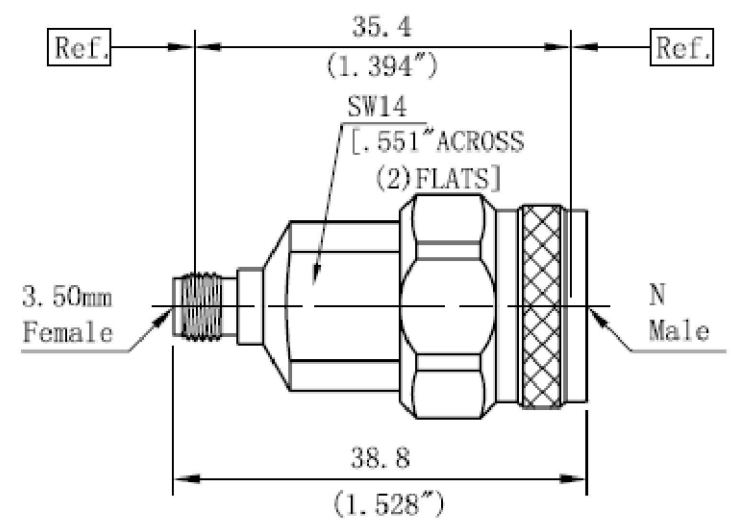
1000 Cycles Min

#### ENVIRONMENTAL

-55° C -- +125° C  
 Corrosion: MIL-STD 202  
 Vibration: MIL-STD 202

#### MATERIALS

Body: SU304 Polished & Passivated  
 Center Contact : Beryllium Copper Gold Plated  
 Insulators: PEI



Jointly sign  
 Quality department  
 Production department  
 Purchasing Department

Material:	Important size	Key dimensions	Shanghai Juncoax RF Technologies Co., Ltd
Drafting: Yuan.YJ	*	▲	Material number: ZJQ-0146
Check: Ming.WM	Marker phase	Version	Proportion
Standard: Liang.DH	P	A/0	Property
Approval: Colin.tsai			Unit
ALL (1) page No. (1) page			mm
			Model: A-35FNM - JUN