



Version	Change NO.	Autograph	Date

4.3-10/L29 ADAPTERS M/F 6GHZ

A-4.3-10ML29F

SPECIFICATIONS

ELECTRICAL

VSWR: 1.10:1 1.15:1
 Frequency: DC-3GHz DC-6GHz
 PIM<-168dBc@3GHz
 Impedance: 50 Ohms

MECHANICAL

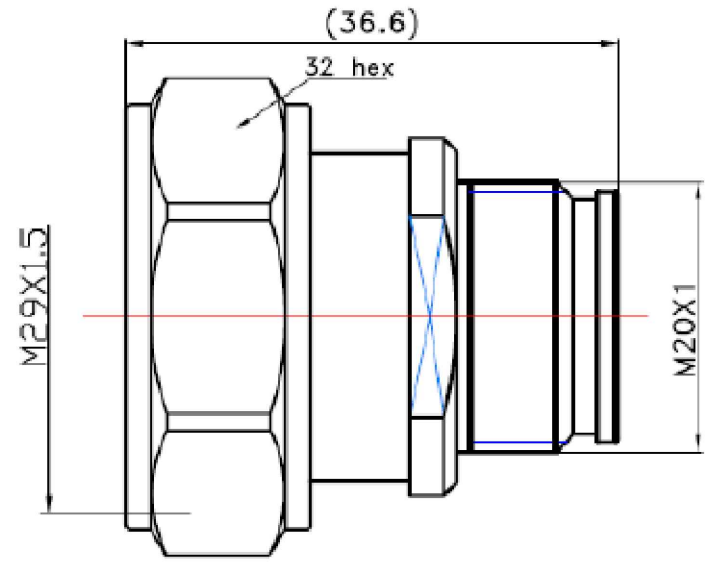
1000 Cycles Min

ENVIRONMENTAL

-55° C -- +125° C
 Corrosion: MIL-STD 202
 Vibration: MIL-STD 202

MATERIALS

Body: Silver Plated brass 5 μm
 Center Contact : Silver Plated Beryllium bronze 8 μm
 Material of a screw: SCBeCu brass 5 μm
 Insulators: PTFE



Jointly sign
 Quality department
 Production department
 Purchasing Department

Material:	Important size	Key dimensions	Shanghai Juncoax RF Technoloies Co.,Ltd
Drafting: Yuan.YJ	*	▲	Material number:ZJQ-0094
Check: Ming.WM	Marker phase	Version	Proportion
Standard: Liang.DH	P	A/0	Property
Approval: Colin.tsai		2:1	Unit
			mm
	ALL (1) page No. (1) page		