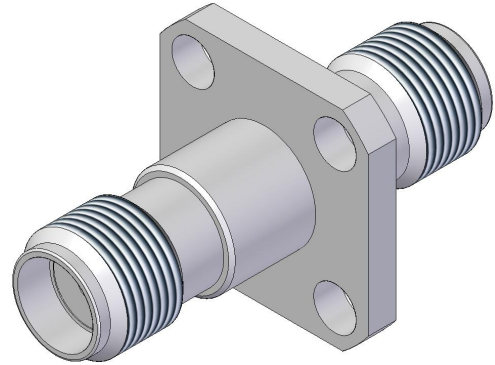


产品型号 (Product model): A-KFKF-F4-J102

产品料号 (Part number): 02.01.ZJ00901

Connector 1: 2.92 Female

Connector 2: 2.92 Female



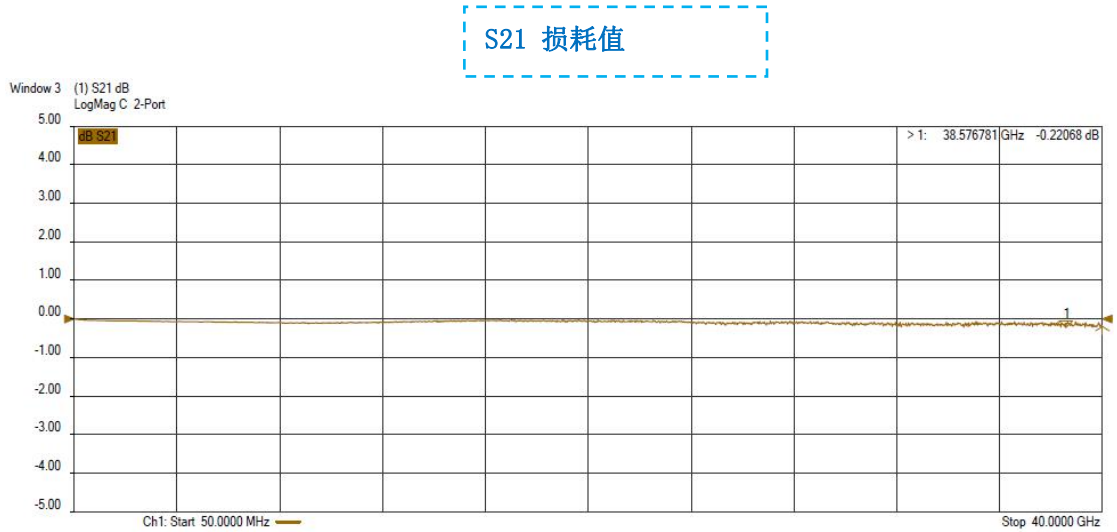
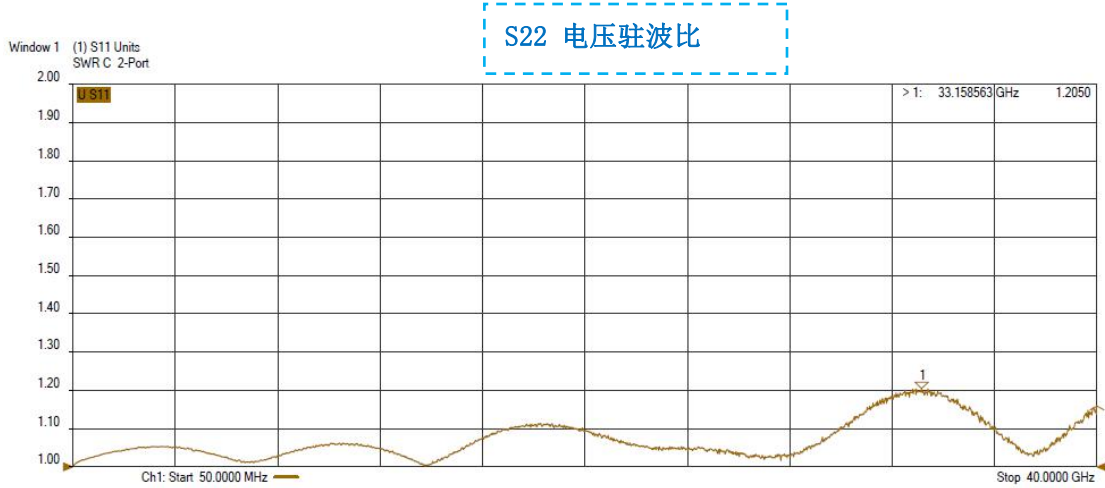
产品特点(Product features):

1. 工作频率高 (High working frequency)
2. 测试寿命长 (Long test life)
3. 孔法兰安装 (4 hole flange installation)
4. 驻波及损耗低 (Standing wave and low loss)

电气性能 (Electrical properties):

技术指标 (Technical indicators)	描述 (Describe)	参数 (Parameter)
频率 (Frequency Range)		DC-40GHz
阻抗 (Impedance)		50 Ω
驻波比 (VSWR)		≤1.20dB@DC~40GHz
插入损耗 (Insertion loss)		<0.30dB@DC~40GHz
介质耐压 (Dielectric Strength)		≥AC750V
绝缘电阻 (Insulation resistance)		200W@2.2GHz
接触电阻 (Contact resistance)	内导体 (Inner conductor)	≤ 4m Ω
	外导体 (Outer conductor)	≤ 5m Ω

电气性能测试 (Electrical performance test):



机械性能 (Mechanical properties):

名称 (Name)	材质 (Texture of)	镀层 (Plating)
内导体 (Inner conductor)	Beryllium Copper	Gold plated
外导体 (Outer conductor)	Stainless steel	Passivation
	Stainless steel	Passivation
绝缘体 (Insulator)	PEI	N/A
测试寿命 (Test life)	500 cycles	
温度范围 (Temperature range)	-55°C~+155°C	

产品外观尺寸 (Product appearance size):

