

Version	Change NO.	Autograph	Date



7/16 -N ADAPTERS F/M 8GHZ

A-DFNM

SPECIFICATIONS

ELECTRICAL

VSWR: DC-3GHz:1.10:1 (Max)
 DC-8GHz:1.15:1 (Max)
 Frequency: DC-8 GHz
 Impedance: 50 Ohms

MECHANICAL

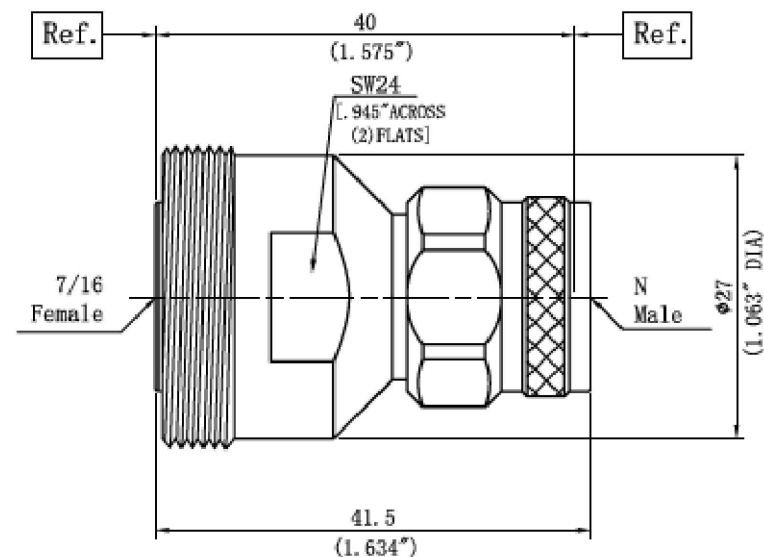
1000 Cycles Min

ENVIRONMENTAL

-55° C -- +125° C
 Corrosion: MIL-STD 202
 Vibration: MIL-STD 202

MATERIALS

Body: Brass Trimetal Plated
 Center Contact : Beryllium Copper Silver Plated
 Insulators: PEI



Jointly sign

Quality department
Production department
Purchasing Department

Material:	Important size	Key dimensions	Shanghai Juncoax RF Technologies Co., Ltd
Drafting: Yuan.YJ	*	▲	Material number: ZJQ-0151
Check: Ming.WM	Marker phase	Version	Proportion
Standard: Liang.DH	P	A/0	Property
Approval: Colin.tsai			Unit
			mm
	ALL (1) page No. (1) page		