

Version	Change NO.	Autograph	Date



7/16 -7/16 ADAPTERS M/F 6GHZ

A-DMDF

SPECIFICATIONS

ELECTRICAL

VSWR: 1.15:1 (Max)
Frequency: DC-6 GHz
Impedance: 50 Ohms

MECHANICAL

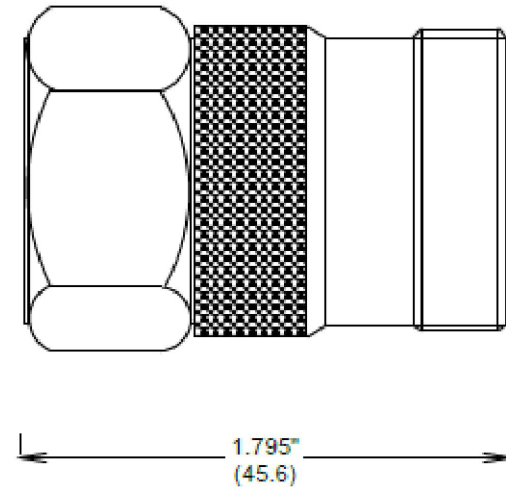
1000 Cycles Min

ENVIRONMENTAL

-55° C -- +125° C
Corrosion: MIL-STD 202
Vibration: MIL-STD 202

MATERIALS

Body: Brass Trimetal Plated
Center Contact : Beryllium Copper Silver Plated
Insulators: PEI



Jointly sign
 Quality department
 Production department
 Purchasing Department

Material:	Important size	Key dimensions	Shanghai Juncoax RF Technologies Co., Ltd
Drafting: Yuan.YJ	*	▲	Material number: ZJQ-0098
Check: Ming.WM	Marker phase	Version	Proportion
Standard: Liang.DH	P	A/0	Property Unit
Approval: Colin.tsai	ALL (1) page No. (1) page		mm

