

Version	Change NO.	Autograph	Date

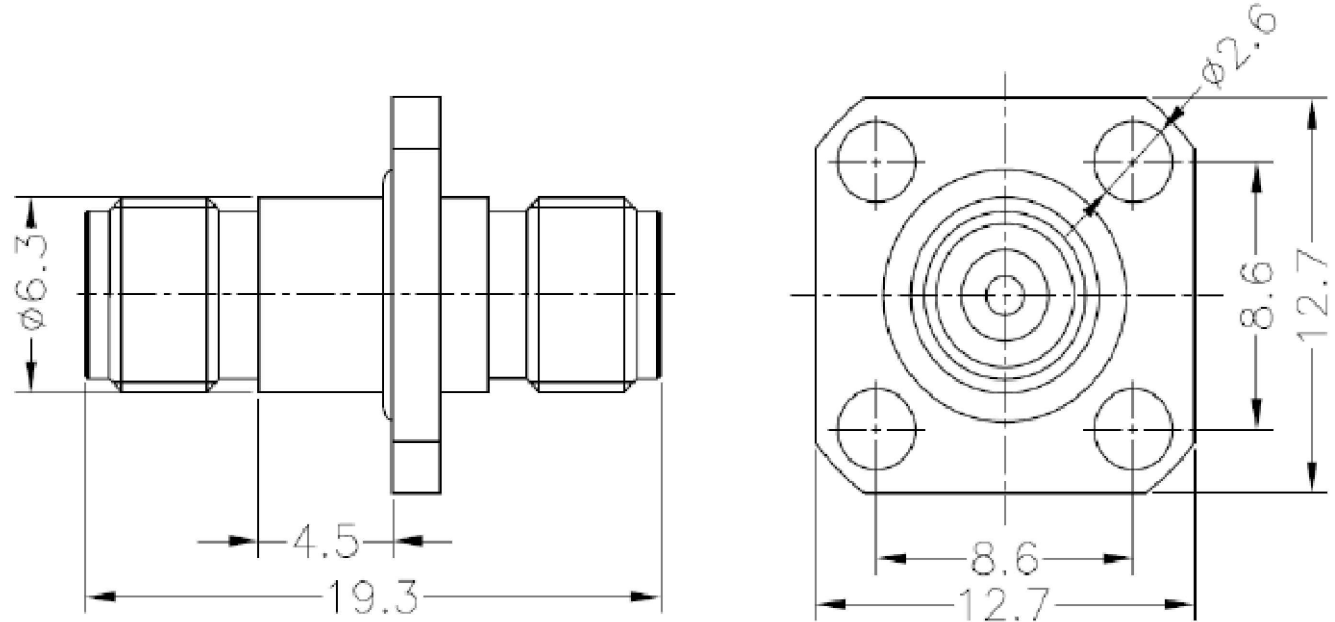


Jointly sign

Quality department

Production department

Purchasing Department



1 Materials

连接器: 2.92 Female
 连接器壳体材料: 不锈钢钝化
 连接器内导体材料: 镀青铜镀金

2 Electronics

*使用频率: DC-40GHz
 *驻波比: 1.15:1@40GHz

Material:	Important size	Key dimensions	Shanghai Juncoax RF Technologies Co., Ltd
Drafting: Yuan. YJ	*	▲	Material number: ZJQ-0065
Check: Ming. WM	Marker phase	Version	Proportion
Standard: Liang. DH	P	A/0	Property
Approval: Colin. tsai			Unit
			mm
	ALL (1) page No. (1) page		