



Version	Change NO.	Autograph	Date

2.92mm ADAPTERS F/F 40GHZ

A-29F29F-BH

SPECIFICATIONS

Jointly sign

Quality department
Production department
Purchasing Department

ELECTRICAL

VSWR: 1.20:1
 Frequency: DC-40 GHz
 Impedance: 50 Ohms

MECHANICAL

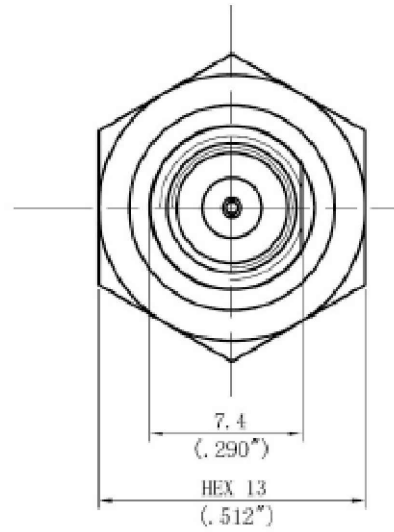
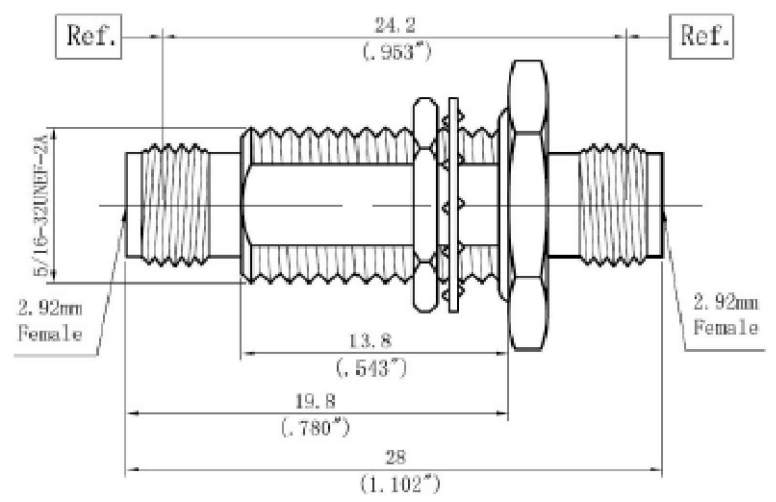
1000 Cycles Min

ENVIRONMENTAL

-55° C -- +125° C
 Corrosion: MIL-STD 202
 Vibration: MIL-STD 202

MATERIALS

Body: SU304 Polished & Passivated
 Center Contact : Beryllium Copper Gold Plated
 Insulators: PEI



Material:	Important size	Key dimensions	Shanghai Juncoax RF Technologies Co., Ltd
Drafting: Yuan.YJ	*	▲	Material number: ZJQ-0058
Check: Ming.WM	Marker phase	Version	Proportion
Standard: Liang.DH	P	A/0	Property
Approval: Colin.tsai	Unit	mm	Model: A-29F29F-BH
ALL (1) page No. (1) page			