

| | | | |
|---------|------------|-----------|------|
| Version | Change NO. | Autograph | Date |
| | | | |



MMCX-SMA ADAPTERS J/M 6GHZ

A-MMJSM

SPECIFICATIONS

ELECTRICAL

VSWR: 1.20:1
 Frequency: DC- 6GHz
 Impedance: 50 Ohms

MECHANICAL

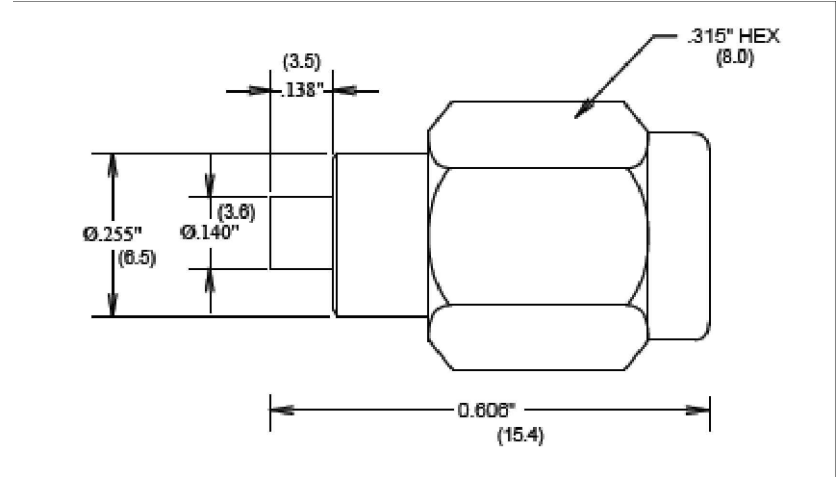
1000 Cycles Min

ENVIRONMENTAL

-55° C -- +125° C
 Corrosion: MIL-STD 202
 Vibration: MIL-STD 202

MATERIALS

Body: SU304 Polished & Passivated
 Center Contact : Beryllium Copper Gold Plated
 Insulators: PTFE&PEI



Jointly sign

| |
|-----------------------|
| Quality department |
| |
| Production department |
| |
| Purchasing Department |
| |

| | | | |
|---------------------------|----------------|----------------|---|
| Material: | Important size | Key dimensions | Shanghai Juncoax RF Technoloies Co.,Ltd |
| Drafting: Yuan.YJ | * | ▲ | Material number:ZJQ-0134 |
| Check: Ming.WM | Marker phase | Version | Proportion |
| Standard: Liang.DH | P | A/0 | Property |
| Approval: Colin.tsai | Unit | 2:1 | mm |
| ALL (1) page No. (1) page | | | |