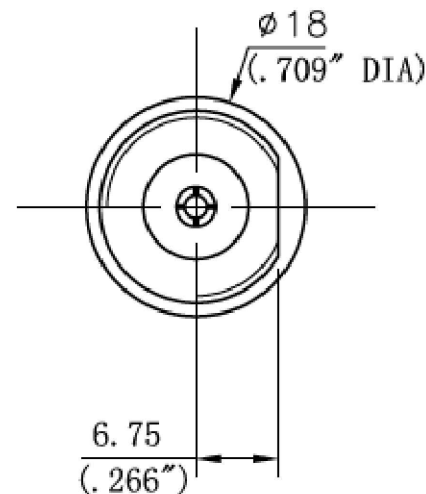
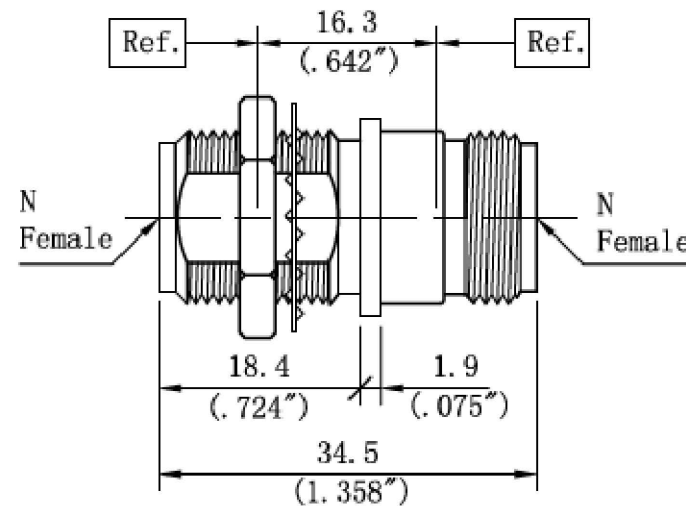


Version	Change NO.	Autograph	Date

N - N ADAPTERS F/F 18GHZ

A-NFNF-BC

SPECIFICATIONS



ELECTRICAL

VSWR: 1.15:1
 Frequency: DC-18 GHz
 Impedance: 50 Ohms

MECHANICAL

1000 Cycles Min

ENVIRONMENTAL

-55° C -- +125° C
 Corrosion: MIL-STD 202
 Vibration: MIL-STD 202

MATERIALS

Body: SU304 Polished & Passivated
 Center Contact : Beryllium Copper Gold Plated
 Insulators: PEI

Jointly sign

Quality department
Production department
Purchasing Department

Material:	Important size	Key dimensions	Shanghai Juncoax RF Technologies Co., Ltd
Drafting: Yuan. YJ	*	▲	Material number: ZJQ-0159
Check: Ming. WM	Marker phase	Version	Proportion
Standard: Liang. DH	P	A/0	2:1
Approval: Colin. tsai	Unit	mm	Model: A-NFNF-BC
ALL (1) page No. (1) page			