



Version	Change NO.	Autograph	Date

SMA-2.92mm ADAPTERS F/M 27GHZ

A-SF29M

SPECIFICATIONS

ELECTRICAL

VSWR: 1.15:1
Frequency: DC-27 GHz
Impedance: 50 Ohms

MECHANICAL

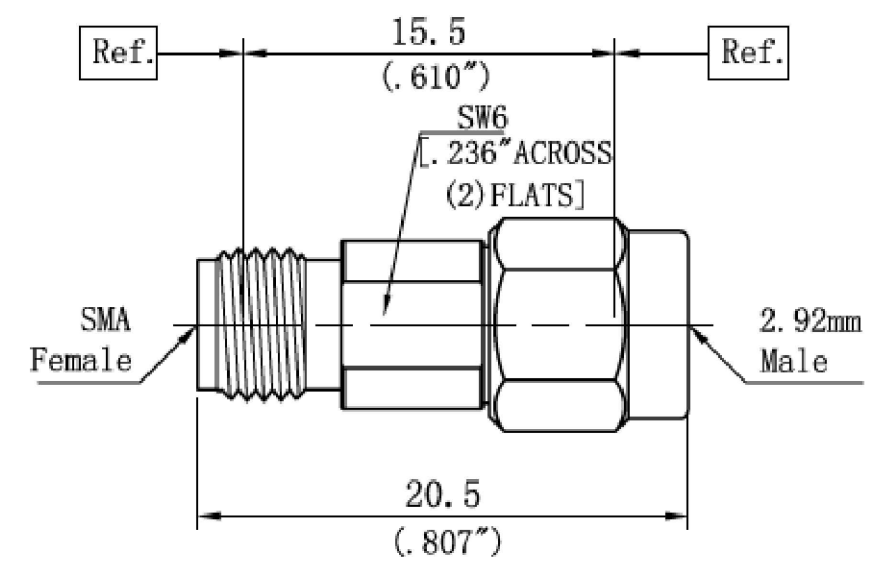
1000 Cycles Min

ENVIRONMENTAL

-55° C -- +125° C
Corrosion: MIL-STD 202
Vibration: MIL-STD 202

MATERIALS

Body: SU304 Polished & Passivated
Center Contact : Beryllium Copper Gold Plated
Insulators: PTFE&PEI



Jointly sign
 Quality department
 Production department
 Purchasing Department

Material:	Important size	Key dimensions	Shanghai Juncoax RF Technologies Co., Ltd
Drafting: Yuan.YJ	*	▲	Material number: ZJQ-0078
Check: Ming.WM	Marker phase	Version	Proportion
Standard: Liang.DH	P	A/0	Property
Approval: Colin.tsai		2:1	Unit
			mm
	ALL (1) page No. (1) page		