

Version	Change NO.	Autograph	Date

# SMA ADAPTERS F/F 27GHZ

## A-SFSF-BF

### SPECIFICATIONS

#### ELECTRICAL

VSWR: 1.15:1

Frequency: DC-27 GHz

Impedance: 50 Ohms

#### MECHANICAL

1000 Cycles Min

#### ENVIRONMENTAL

-55° C -- +125° C

Corrosion: MIL-STD 202

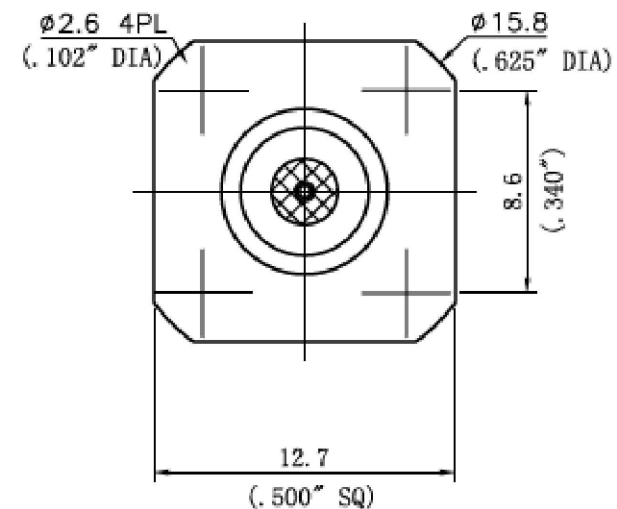
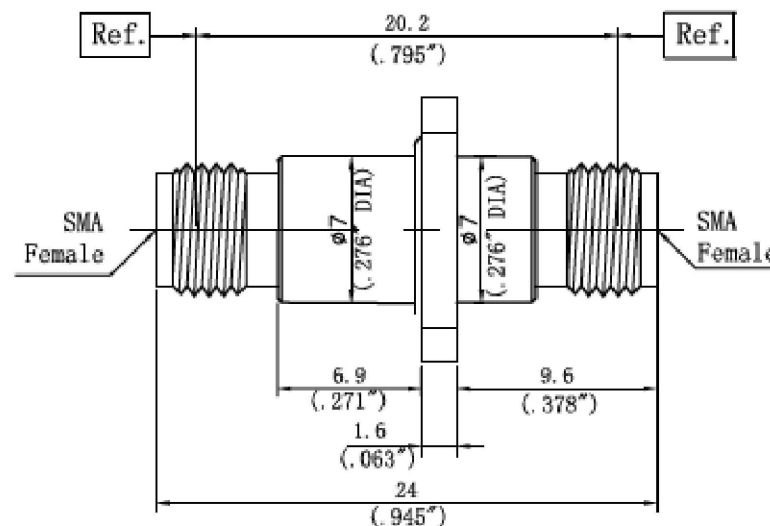
Vibration: MIL-STD 202

#### MATERIALS

Body: SU304 Polished & Passivated

Center Contact : Beryllium Copper Gold Plated

Insulators: PTFE&PEI



Jointly sign

Quality department
Production department
Purchasing Department

Material:	Important size	Key dimensions	Shanghai Juncoax RF Technologies Co., Ltd
Drafting: Yuan.YJ	*	▲	Material number: ZJQ-0199
Check: Ming.WM	Marker phase	Version	Proportion
Standard: Liang.DH	P	A/0	Property
Approval: Colin.tsai	Unit	mm	Model: A-SFSF-BF-003
ALL (1) page No. (1) page			