

| | | | |
|---------|------------|-----------|------|
| Version | Change NO. | Autograph | Date |
| | | | |

SMA ADAPTERS F/F 27GHZ

A-SFSF-BH

SPECIFICATIONS

ELECTRICAL

VSWR: 1.15:1
 Frequency: DC-27 GHz
 Impedance: 50 Ohms

MECHANICAL

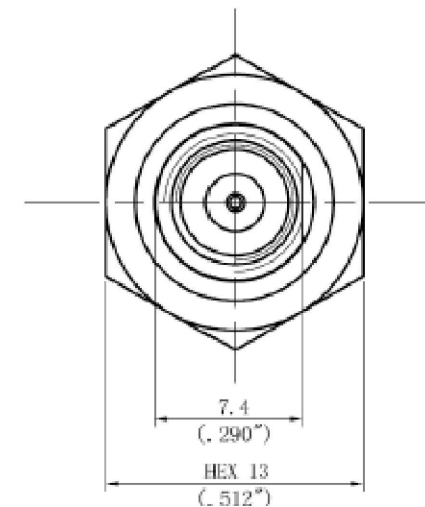
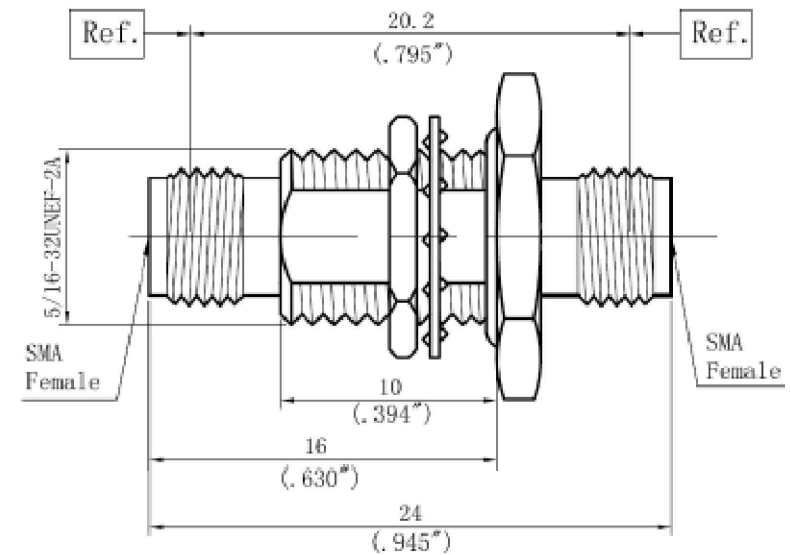
1000 Cycles Min

ENVIRONMENTAL

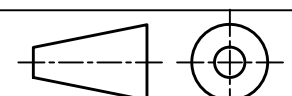
-55° C -- +125° C
 Corrosion: MIL-STD 202
 Vibration: MIL-STD 202

MATERIALS

Body: SU304 Polished & Passivated
 Center Contact : Beryllium Copper Gold Plated
 Insulators: PTFE&PEI



Jointly sign
 Quality department
 Production department
 Purchasing Department

| | | | |
|---------------------------|----------------|----------------|---|
| Material: | Important size | Key dimensions | Shanghai Juncoax RF Technologies Co., Ltd |
| Drafting: Yuan.YJ | * | ▲ | Material number: ZJQ-0200 |
| Check: Ming.WM | Marker phase | Version | Proportion |
| Standard: Liang.DH | P | A/0 | Property |
| Approval: Colin.tsai | Unit | mm | Model: A-SFSF-BH-1 |
| ALL (1) page No. (1) page | | |  |