

Version	Change NO.	Autograph	Date

# SMA ADAPTERS F/F 27GHZ

## A-SFSF-BH

### SPECIFICATIONS

#### ELECTRICAL

**VSWR: 1.15:1**  
**Frequency: DC-27 GHz**  
**Impedance: 50 Ohms**

#### MECHANICAL

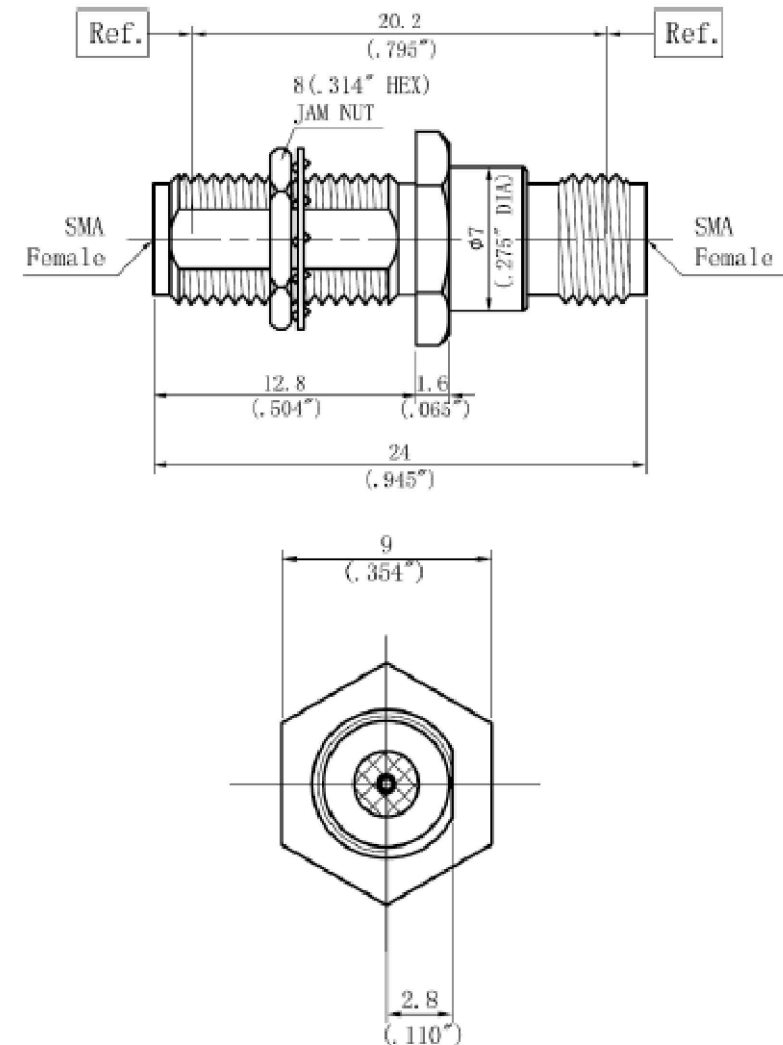
**1000 Cycles Min**

#### ENVIRONMENTAL

**-55° C -- +125° C**  
**Corrosion: MIL-STD 202**  
**Vibration: MIL-STD 202**

#### MATERIALS

**Body: SU304 Polished & Passivated**  
**Center Contact : Beryllium Copper Gold Plated**  
**Insulators: PTFE&PEI**



Jointly sign

Quality department
Production department
Purchasing Department

Material:	Important size	Key dimensions	Shanghai Juncoax RF Technologies Co., Ltd
Drafting: Yuan.YJ	*	▲	Material number: ZJQ-0201
Check: Ming.WM	Marker phase	Version	Proportion
Standard: Liang.DH	P	A/0	Property
Approval: Colin.tsai			Unit
			mm
	ALL (1) page No. (1) page		