

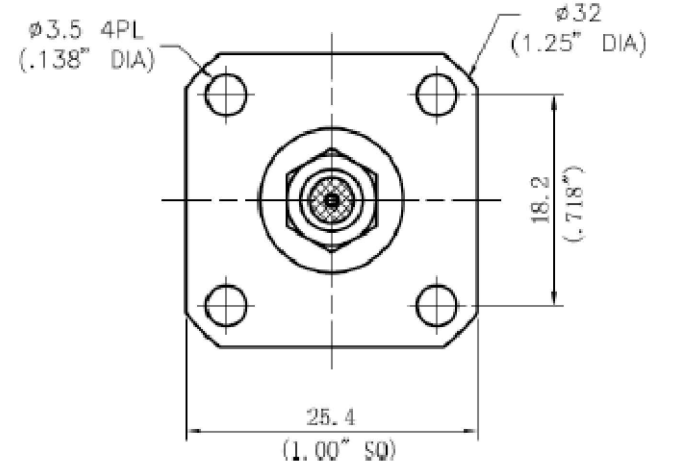
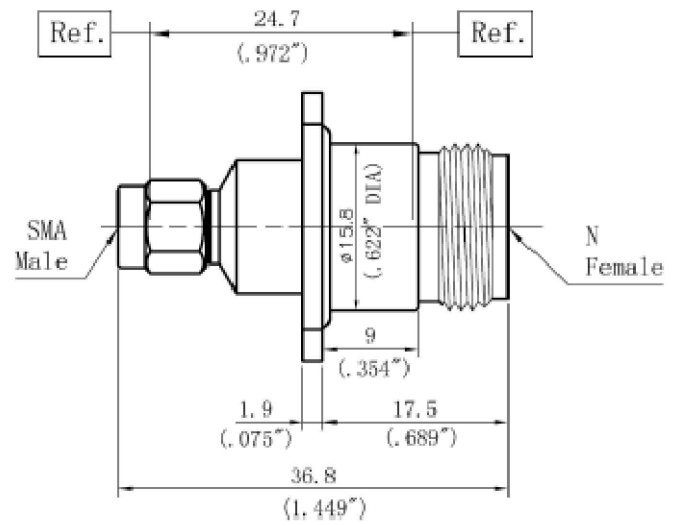
Version	Change NO.	Autograph	Date



SMA - N ADAPTERS M/F 18GHZ

A-SMNF-BF

SPECIFICATIONS



ELECTRICAL
 VSWR: 1.15:1
 Frequency: DC-18 GHz
 Impedance: 50 Ohms

MECHANICAL
 1000 Cycles Min

ENVIRONMENTAL
 -55° C -- +125° C
 Corrosion: MIL-STD 202
 Vibration: MIL-STD 202

MATERIALS
 Body: SU304 Polished & Passivated
 Center Contact : Beryllium Copper Gold Plated
 Insulators: PTFE&PEI

Jointly sign
 Quality department
 Production department
 Purchasing Department

Material:	Important size	Key dimensions	Shanghai Juncoax RF Technologies Co., Ltd
Drafting: Yuan.YJ	*	▲	Material number: ZJQ-0174
Check: Ming.WM	Marker phase	Version	Proportion
Standard: Liang.DH	P	A/0	Property
Approval: Colin.tsai			Unit
			mm
			Model: A-SMNF-BF
			ALL (1) page No. (1) page

