

Version	Change NO.	Autograph	Date

SMA ADAPTERS M/M 27GHZ

A-SMSM

SPECIFICATIONS

ELECTRICAL

VSWR: 1.15:1

Frequency: DC-27 GHz

Impedance: 50 Ohms

MECHANICAL

1000 Cycles Min

ENVIRONMENTAL

-55° C -- +125° C

Corrosion: MIL-STD 202

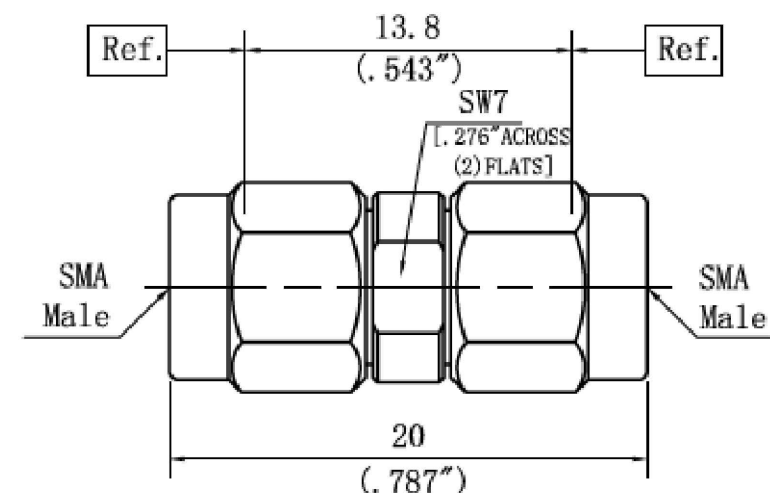
Vibration: MIL-STD 202

MATERIALS

Body: SU304 Polished & Passivated

Center Contact : Beryllium Copper Gold Plated

Insulators: PTFE&PEI



Jointly sign

Quality department

Production department

Purchasing Department

Material:	Important size	Key dimensions	Shanghai Juncoax RF Technologies Co., Ltd
Drafting: Yuan. YJ	*	▲	Material number: ZJQ-0205
Check: Ming. WM	Marker phase	Version	Proportion
Standard: Liang. DH	P	A/O	Property
Approval: Colin. tsai			Unit
			mm
		ALL (1) page	No. (1) page

